



# BERG REPPY

Productsheet XL



REPPY RIDER, REPPY RACER, REPPY REBEL, REPPY BMW

Outrageous looks,  
**carefree playing fun**  
and easy to take with you

years

**2.5** ▶ **6**

95 to 125 cm

**BERGTOYS.COM**



## BERG REPPY

*Get ready to explore*

BERG's Reppy platform has 3 different models: the Rebel, the Racer and the Rider. The Reppy is positioned between the Buzzy and Buddy platform in terms of size and age. The three versions have exciting, sparkling looks, are very user-friendly for both children and parents and, of course, they are fantastic toys.

The striking sports steering wheel, the EVA 10" tyres that will never go flat, the cool bucket seat and the swing axle make go-karting exceptionally good fun. The BERG Reppy is the first go-kart for young children with genuine, low go-kart entry due to the low bucket seat.



BMW  
SPECIAL LICENSED  
PRODUCT

The BMW logo and the BMW word mark are trademarks of BMW AG and are used under license.

*Outrageous looks,  
carefree playing fun  
and easy to take with you*



**BERGTOYS.COM**



## 1. SLEEK AND ATTRACTIVE DESIGN

The Reppy's design makes children stand out in the neighbourhood. Take a look at that low bucket seat and striking sports steering wheel!

Adults can carry the Reppy super easily by its frame handle. The Reppy is light and compact, making it easy to store after use.

### Design key-features:



**Cool bucket seat**



**Striking sports steering wheel**  
inclusive BERG Soundbox  
(optional for Reppy Rider)



**Built-in handle**  
makes lifting easy



*Outrageous looks,  
**carefree playing fun**  
and easy to take with you*



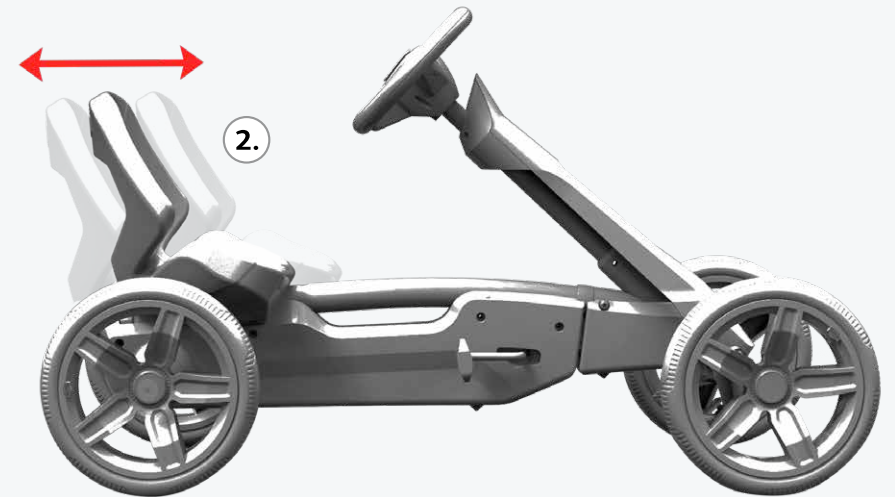


## 2. GROWS ALONG WITH YOUR CHILD

### Get ready to explore

The Reppy's bucket seat is easy to adjust using the knob on the seat. No tools needed for that! Due to the low seat, it is not necessary to adjust the steering wheel. In whichever seat position a child sits, the steering wheel is always easy to reach.

The Reppy is suitable for children from ages 2.5 to 6.



Outrageous looks,  
**carefree playing fun**  
and easy to take with you





### 3. EVA TYRES

*Get ready to explore*

An EVA tyre is made of high-tech foam. For the BERG Reppy, high-tech foam is the ideal replacement for the traditional rubber inner and outer tyres. Thanks to the right composition, the tyres are just as wear-resistant as traditional rubber tyres but without the risk of a flat tyre. The tyres are very silent when driving, which makes them ideal for indoor and outdoor use.



*Outrageous looks,  
carefree playing fun  
and easy to take with you*



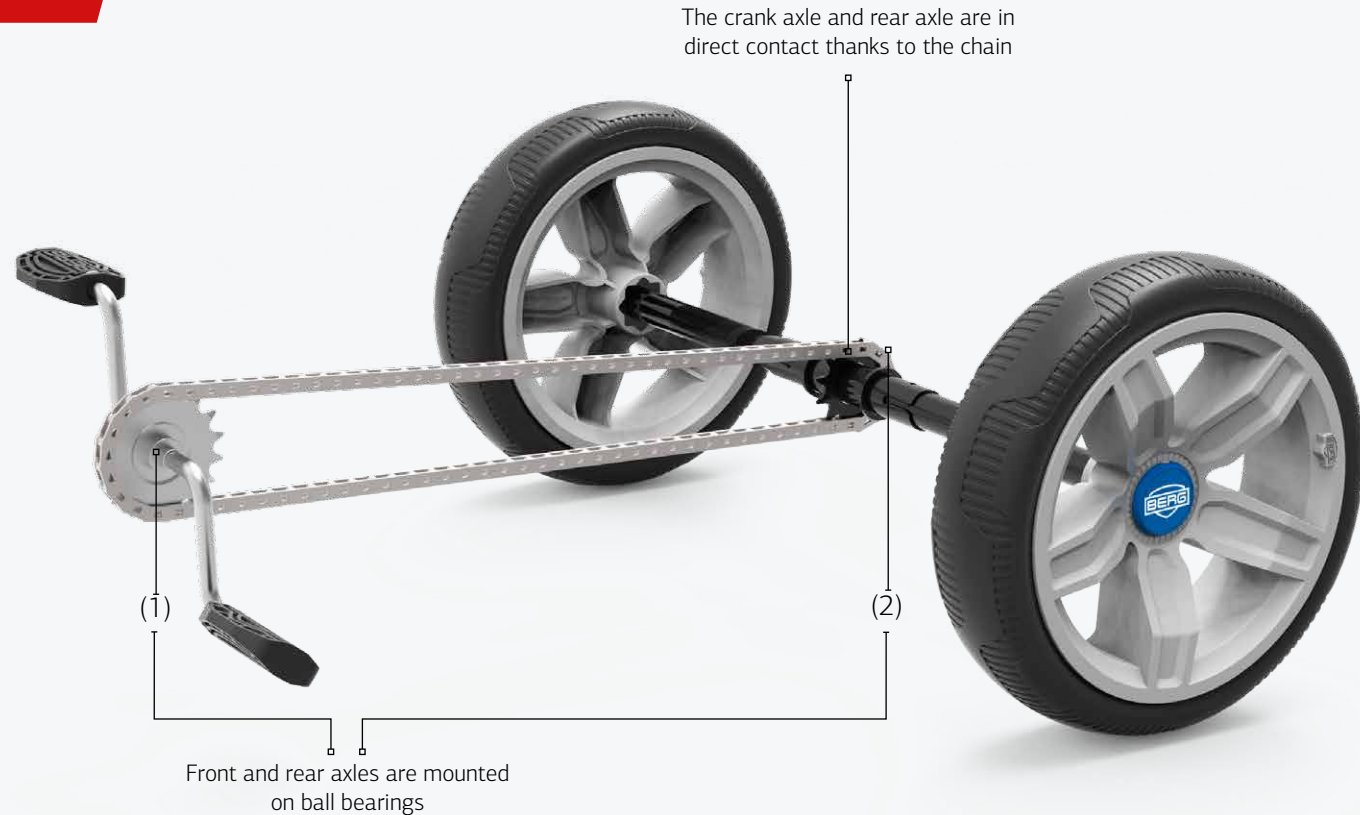


## 4. DIRECT DRIVE

The BERG Reppy is equipped with a fixed connection between the front crank axle and the rear axle. This means that the movement of the legs is immediately converted to the movement of the rear wheels. This makes the BERG Reppy super simple and easy to ride. Both forwards and backwards.

An additional advantage is that the movement/rotation of the rear wheels (which occurs when pedalling, or when pushed) is also translated to the front crank axle. Therefore, once the go-kart is moving, you can continue pedalling very easily.

Also, the front and rear axles are mounted on ball bearings. As a result, the pedals and rear axle rotate smoothly and lightly!



*Outrageous looks,  
carefree playing fun  
and easy to take with you*





## CHARACTERISTICS

Get ready to explore

The Reppy is suitable for children from ages 2.5 to 6

The cool bucket seat has a knob for easy seat adjustment. Adjustable seat in 4 positions

Smooth and light pedaling thanks to the use of ball bearings

Can drive forwards and backwards

The direct drive system makes pedalling easy



The steering wheel comes equipped with soundbox (Reppy Racer, Reppy BMW and Reppy Rebel)  
The BERG Soundbox is Optional for Reppy Rider

Easy to lift up using the frame handle

Sleek and attractive design

Equipped with 10" inch EVA tyres that will never go flat

Firmly and safely grounded due to the 4 wheels and swing axle



reddot design award  
winner 2019

BERGTOYS.COM

Outrageous looks,  
**carefree playing fun**  
and easy to take with you





24.60.00.00

# BERG REPPY RIDER

*Get ready to explore*

The attractive and sporty design of the Reppy Rider will make every child want to discover their neighbourhood in it. The striking sports steering wheel, the EVA 10" tyres that will never go flat, the cool bucket seat and the swing axle, make go-karting exceptionally good fun. The BERG Reppy is the first go-kart for young children with genuine, low go-kart entry due to the low bucket seat.



Weight product: 9 kg  
Weight with box: 10.7 kg  
Box size in cm: 70x49x23

years  
**2.5 ▶ 6**  
95 to 125 cm





24.60.01.00

## BERG REPPY RACER

*Get ready to explore*

The low seat, cool bucket seat, front spoiler and racing tyres make this Reppy a true Racer! The sports steering wheel comes equipped with a real soundbox. This soundbox has 4 different tones: braking, tooting, starting the motor and accelerating. The Reppy Racer has 4 EVA 10" tyres that will never go flat, an adjustable bucket seat and a swing axle.



Weight product: 9.1 kg  
Weight with box: 10.8 kg  
Box size in cm: 70x49x23

years

2.5 → 6

95 to 125 cm

**BERGTOYS.COM**

EAN-CODE: **8715839065930**



24.60.02.00

## BERG REPPY REBEL

*Get ready to explore*

Off-road driving is exceptionally good fun with the Rebel! Children from the age of 2.5 can go-kart on this striking Reppy. The bright red EVA 10" inch off-road tyres, cool front spoiler, red springs and unique sports steering wheel ensure a strikingly cool appearance. The sports steering wheel comes equipped with a real soundbox. This soundbox has 4 different tones: braking, tooting, starting the motor and accelerating.



Weight product: 9.5 kg  
Weight with box: 11.2 kg  
Box size in cm: 70x49x23

years  
**2.5 ▶ 6**  
95 to 125 cm



24.61.00.00

# BERG BMW REPPY

*Get ready to explore*

The collaboration with BMW and BERG has reached new heights with the arrival of the BERG Reppy BMW. The familiar grill, headlights and spoiler make this go-kart the most desirable Reppy. The large rims and EVA tyres ensure grip and comfort. The bearings and direct drive make the Reppy super light to pedal and, in combination with the low seat, the driving experience is unrivalled, as it should be in a BMW. The Soundbox makes the whole experience complete.



The BMW logo and the BMW word mark are trademarks of BMW AG and are used under license.

Weight product: 9.2 kg  
Weight with box: 10.9 kg  
Box size in cm: 70x49x23

years  
**2.5 ▶ 6**  
95 to 125 cm

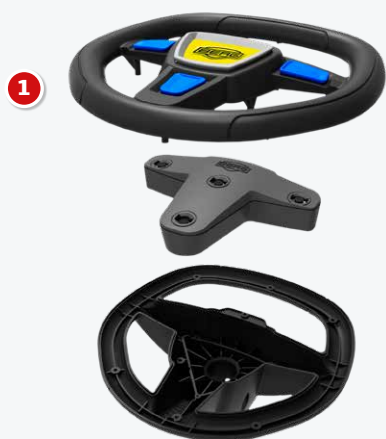


## BERG REPPY ACCESSORIES

*Get ready to explore*

Accessoire	Art. nr.	Productgewicht	Productgewicht + doos	Formaat doos in CM
1 BERG Soundbox*	16.67.00.00	1.2 kg	0.26 kg	20.5x15x18
2 BERG Trailer M	18.24.60.00	3 kg	4.8 kg	73x50x34
3 BERG Safety Flag S/M	16.00.03.00	kg	kg	

\* Only for the BERG Reppy Rider

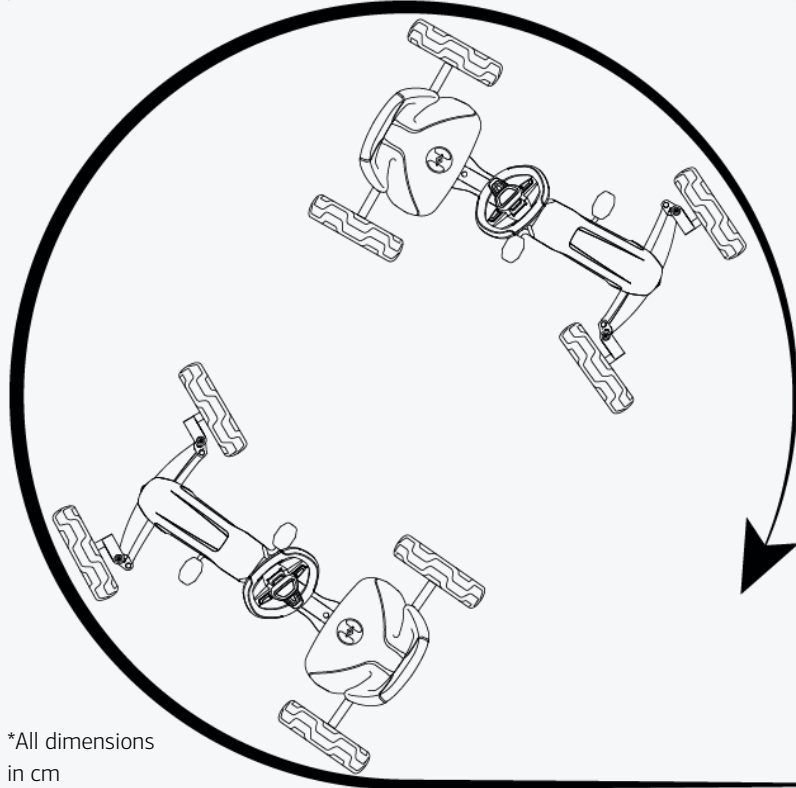




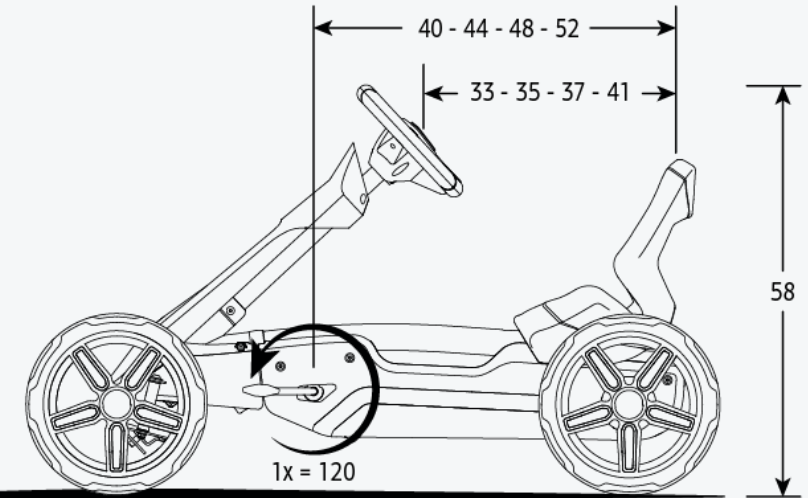
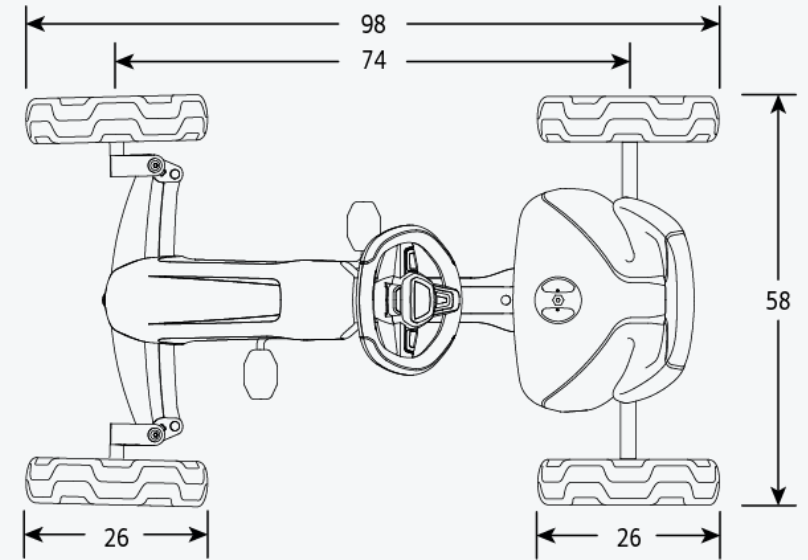
# BERG REPPY DATA

*Get ready to explore*

The following data is applicable to all Reppy versions



\*All dimensions in cm





## BERG REPPY DATA

*Get ready to explore*

### General

Recommended age	2,5 - 6 years
Min user height	85 cm
Max user height	125 cm
Max user weight	40 kg
Parental supervision necessary	Yes
Safety mark	TÜV + CE
Assembly time	±30 min

### Physical characteristics

Length	98 cm
Width	59 cm
Height	58 cm

### Warranty

Frame	2 years
Parts	2 years
Tyres	0 years

### Technical characteristics

Gears	N.A.
Tyre type	Solid
Frame aterial	Steel
Forward and backward	Yes
Braking system	Direct Drive
Parking brake	N.A.
Transmission	Direct Drive
Ball bearings	Yes
Swing axle	Yes
Adjustable seat	Yes
Adjustable steering wheel	No
Trailer connection	N.A.

### Packaging

Dimensions	70x49x23 cm
Cardboard in packaging	1.6 kg
Synthetic material in packaging	0.05 kg
Hardboard in packaging	0 kg
Number on Blok pallet	30 pieces
Number on Euro pallet	16 pieces

\* This information is subject to change and may vary



