



BERG GO²

Productsheet XL



GO² BLUE, GO² PINK, GO² MINT
GO² SPARX RED, GO² SPARX YELLOW

The **BERG GO²**;
*the first steps towards the
development of your child!*

months
10 > 30
70 to 100 cm

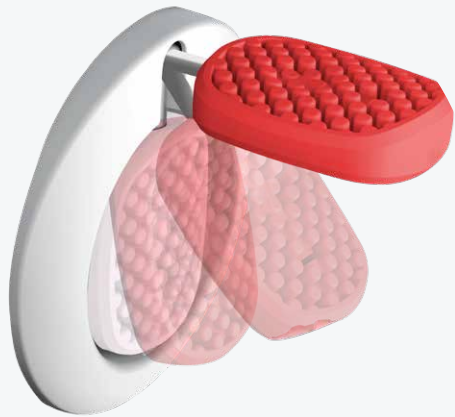


BERG GO²

Ride & Pedal

The development of your child begins on a BERG GO². The BERG GO² is our sleek and ergonomic go-kart for the youngest children! Children from the age of 10 months learn to scoot first with the pedals folded up. Before you know it, your child will be scooting around the whole room. You can then unfold the pedals very easily so that your child can experience go-karting for the very first time!

Besides the fact that the BERG GO² is good for the physical and cognitive development of your child, it is a delightful toy for children. The 4 silent whisper tyres ensure that your child can safely and stably ride around in this go-kart. The BERG GO² is suitable for indoor and outdoor use.



*Unique foldable
pedal-system!*

**RIDE &
PEDAL**



2 IN 1
**RIDE &
PEDAL**

The **BERG GO²**;
the first steps towards the
development of your child!

months
10 > 30
70 to 100 cm



LEARNING TO RIDE A SCOOTER

Teach your child how to ride a scooter and cycle by playing; all you need is the BERG GO2! First your child sits on the GO2 with folded pedals. The rider moves forward by putting their feet on the ground. And before you know it, they've mastered the scooter.



RIDE
10 ▶ 20 months



The **BERG GO2**;
the first steps towards the
development of your child!

months
10 ▶ 30
70 to 100 cm



LEARNING TO PEDAL

After getting the hang of using the scooter, the next step is to unfold the pedals. That's done easily in just one movement. With the pedals folded out, your child begins practising with feet on the pedals, and learns how to go-kart. It takes a bit of getting used to, and your child can switch between using the scooter and pedalling. Because the steering wheel and pedals operate separately, your child always remains in control of the BERG GO². Riding the scooter and go-karting mark the first steps in your child's development!



PEDAL
20 ▶ 30 months



The **BERG GO²**;
the first steps towards the
development of your child!





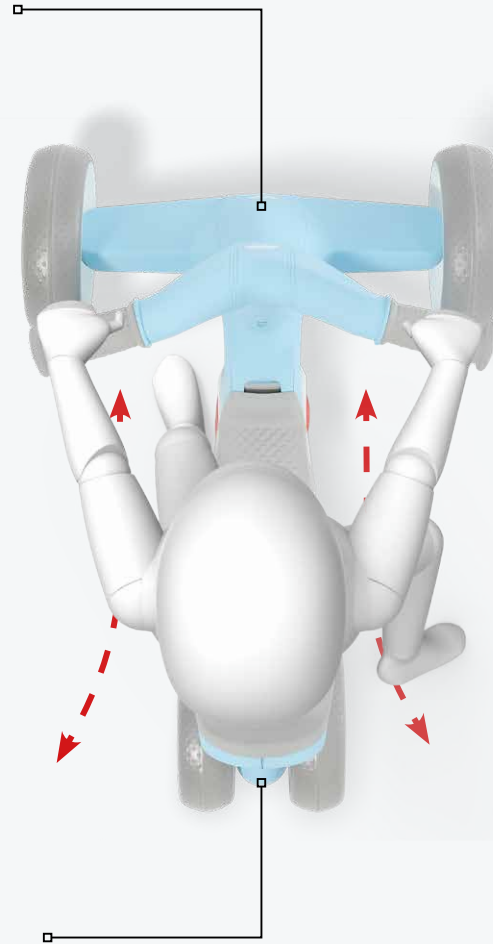
ERGONOMIC DESIGN

The sleek ergonomic design has many advantages. The first advantage is that your child will not catch his or her little feet on the pedals or the rear wheels.

The BERG GO² saddle has a unique structure. When your child grows, he or she can sit further back. Thanks to its four wheels, the BERG GO² has excellent stability. Because tricycles have one wheel less they are prone to tipping over. Riding sharply or fast around corners on a tricycle creates dangerous situations.

Thanks to the sleek design, the BERG GO² is a real eye-catcher in and around the house. The go-kart is also very light, which means the BERG GO² is easy to lift up, take with you and stow away.

Stable base due to a wide front



Optimum freedom of movement, with both folded and unfolded pedals

The narrow rear makes riding easy

The **BERG GO²**;
the first steps towards the
development of your child!





ACCESSORIES

BERG GO² Pushbar

Want to get your child moving with a push? Then augment your BERG GO² with a special pushbar. This makes it easy to push your little one forward on the BERG GO² during short walks. Attaching it to the rear of the BERG GO² is easy, and it's just as simple to remove it when it's no longer needed. It's the easy way to get your child started.



BERG GO² Flag

Don't want to lose sight of your child while they ride around on the BERG GO²? Then add a flag to the BERG GO². It makes your child visible to you and others. That's really safe! You can easily attach the flag to the BERG GO². Then your little one is never out of your sight.



BERG GO² Carry-strap

Is your child too tired to ride around on the BERG GO²? Then simply carry the BERG GO² on your shoulder with the carry-strap. You can attach and remove the BERG GO² carry-strap in an instant. And the strap can easily be packed away under the saddle. It's so simple!



The following applies to all accessories

- Easy to attach
- Fits all BERG GO² models

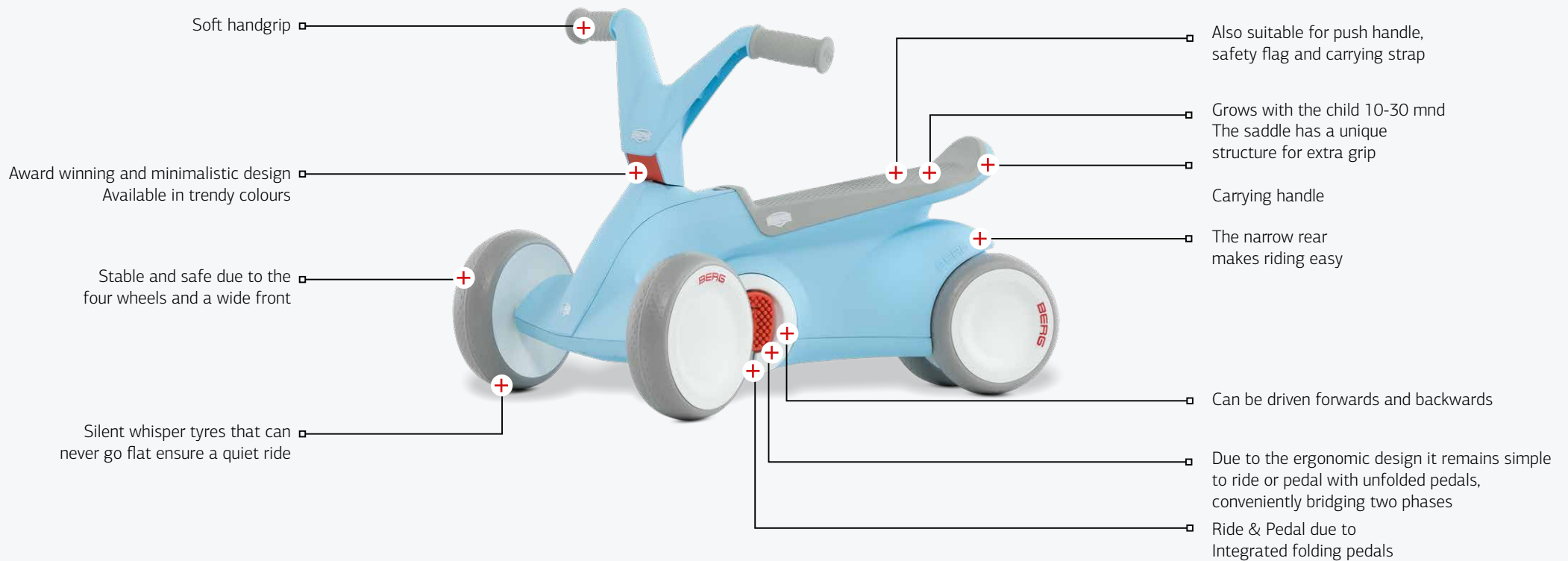
The **BERG GO²**;
*the first steps towards the
development of your child!*





CHARACTERISTICS

RIDE & PEDAL



The **BERG GO²**;
the first steps towards the
development of your child!





24.50.03.00

BERG GO² SPARX RED

Ride & Pedal

The BERG GO² is suitable for children from 10-30 months. Children can learn to scoot and go-kart on it from a very young age. This is good for the physical and cognitive development of your child.

The BERG GO² is equipped with every convenience: folding pedals, 4 silent whisper tyres that cannot go flat, a direct drive system which makes riding around very easy, an ergonomic design and a saddle that prevents your child from sliding forward. You can allow your child to ride carefree around the house on the BERG GO²!



Weight product: 3.85 kg
Weight + box: 5.3 kg
Format box (cm): 39x27x60

months
10 → **30**
70 to 100 cm



24.50.04.00

BERG GO² SPARX YELLOW

Ride & Pedal

The BERG GO² is suitable for children from 10-30 months. Children can learn to scoot and go-kart on it from a very young age. This is good for the physical and cognitive development of your child.

The BERG GO² is equipped with every convenience: folding pedals, 4 silent whisper tyres that cannot go flat, a direct drive system which makes riding around very easy, an ergonomic design and a saddle that prevents your child from sliding forward. You can allow your child to ride carefree around the house on the BERG GO²!



Weight product: 3.85 kg
Weight + box: 5.3 kg
Format box (cm): 39x27x60

months
10-30
70 to 100 cm



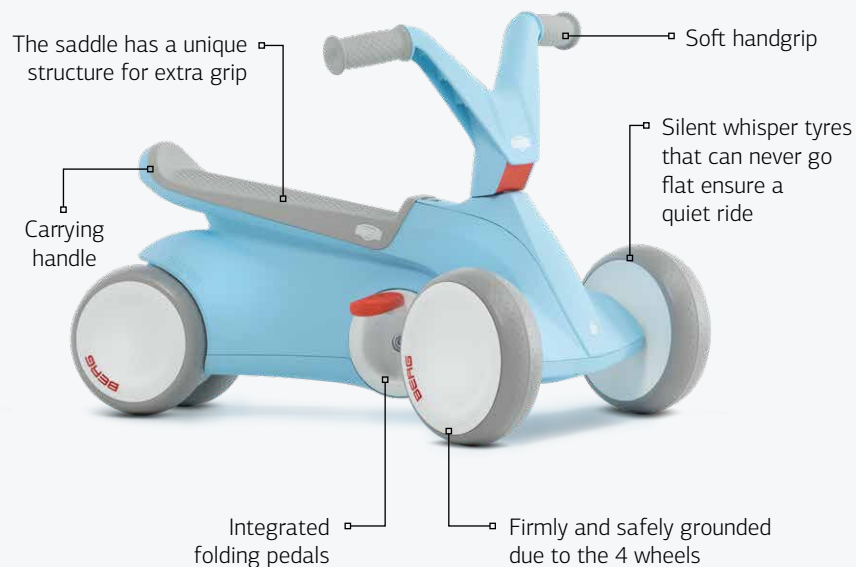
24.50.00.00

BERG GO² BLUE

Ride & Pedal

The BERG GO² is suitable for children from 10-30 months. Children can learn to scoot and go-kart on it from a very young age. This is good for the physical and cognitive development of your child.

The BERG GO² is equipped with every convenience: folding pedals, 4 silent whisper tyres that cannot go flat, a direct drive system which makes riding around very easy, an ergonomic design and a saddle that prevents your child from sliding forward. You can allow your child to ride carefree around the house on the BERG GO²!



Weight product: 3.85 kg
Weight + box: 5.3 kg
Format box (cm): 39x27x60

months
10 > 30
70 to 100 cm



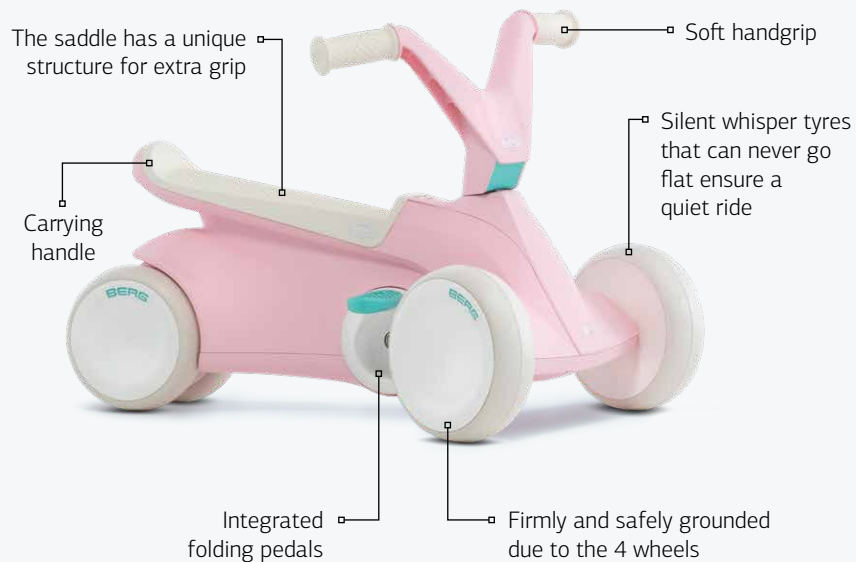
24.50.01.00

BERG GO² PINK

Ride & Pedal

The BERG GO² is suitable for children from 10-30 months. Children can learn to scoot and go-kart on it from a very young age. This is good for the physical and cognitive development of your child.

The BERG GO² is equipped with every convenience: folding pedals, 4 silent whisper tyres that cannot go flat, a direct drive system which makes riding around very easy, an ergonomic design and a saddle that prevents your child from sliding forward. You can allow your child to ride carefree around the house on the BERG GO²!



Weight product: 3.85 kg
Weight + box: 5.3 kg
Format box (cm): 39x27x60

months
10-30
70 to 100 cm



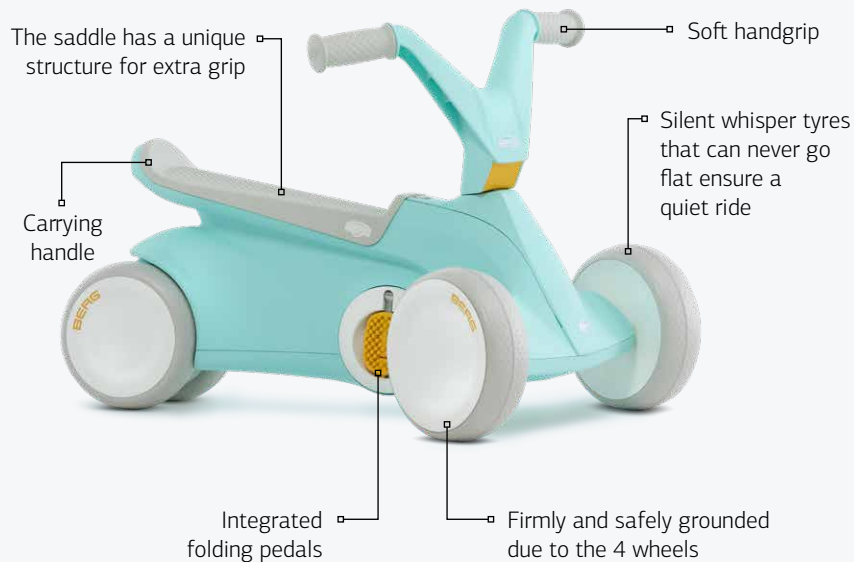
24.50.02.00

BERG GO² MINT

Ride & Pedal

The BERG GO² is suitable for children from 10-30 months. Children can learn to scoot and go-kart on it from a very young age. This is good for the physical and cognitive development of your child.

The BERG GO² is equipped with every convenience: folding pedals, 4 silent whisper tyres that cannot go flat, a direct drive system which makes riding around very easy, an ergonomic design and a saddle that prevents your child from sliding forward. You can allow your child to ride carefree around the house on the BERG GO²!



Weight product: 3.85 kg
Weight + box: 5.3 kg
Format box (cm): 39x27x60

months
10 → **30**
70 to 100 cm

BERG GO² ACCESSORIES

Ride & Pedal

Accessory	Article	Product weight	Product weight + Box	Box size in CM
1 BERG Carrying Strap	16.00.01.00	0.1 kg	0.15 kg	8 x 8 x 13
2 BERG Push Handle XS	16.50.00.00	0.6 kg	1.0 kg	20 x 8 x 48
3 BERG Safety Flag XS	16.00.00.00	0.1 kg	0.3 kg	18 x 5 x 62

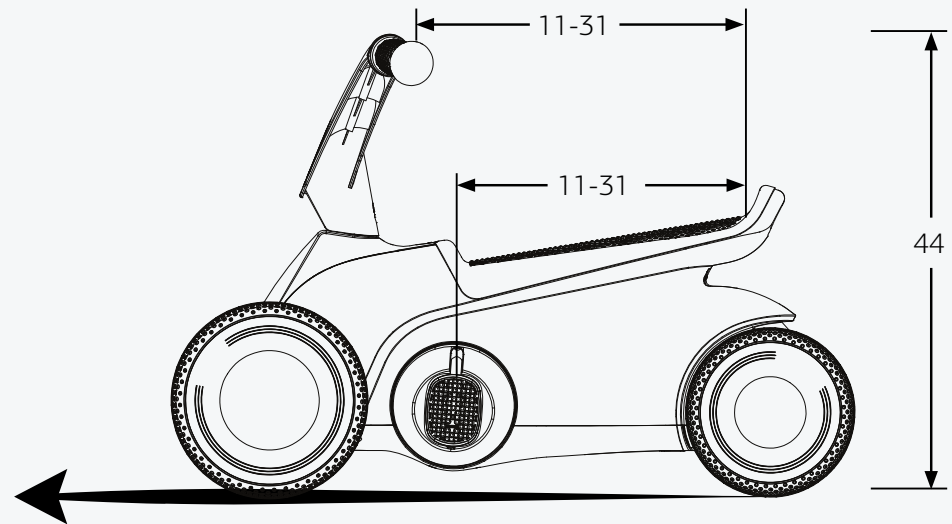
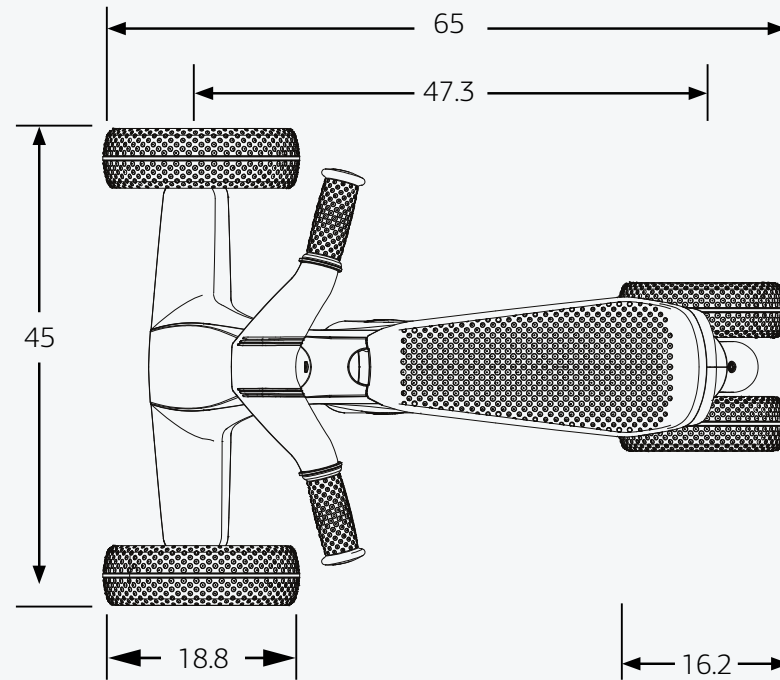
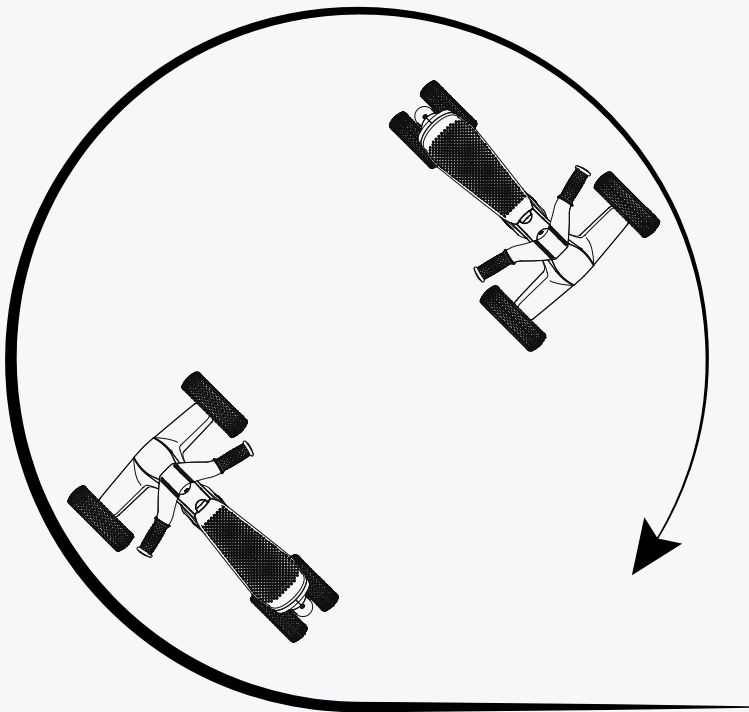
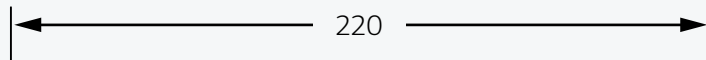




BERG GO² DATA

Ride & Pedal

The following data is applicable on all GO² versions.



* All dimensions in cm





BERG GO² DATA

Ride & Pedal

General

Recommended age	10 - 30 months
Min user height	70 cm
Max user height	100 cm
Max user weight	20 kg
Parental supervision necessary	Yes
Safety mark	TÜV + CE
Assembly time	±10 min

Physical characteristics

Length	65 cm
Width	45 cm
Height	44 cm

Warranty

Frame	2 years
Parts	2 years
Tyres	0 years

Technical characteristics

Gears	N.A.
Tyre type	EVA
Frame aterial	Plastic
Forward and backward	Yes
Braking system	Direct Drive
Parking brake	No
Transmission	Direct Drive
Ball bearings	No
Swing axle	No
Adjustable seat	No
Adjustable steering wheel	No
Trailer connection	No

Packaging

Dimensions	39x27x60 cm
Cardboard in packaging	0.3 kg
Synthetic material in packaging	0.05 kg
Hardboard in packaging	n/a
Number on Blok pallet	35 pieces
Number on Euro pallet	26 pieces

* This information is subject to change and may vary

The **BERG GO²**;
the first steps towards the
development of your child!



